

OPERATOR'S MANUAL

THE SERIES TANDEM DISC



Tufline®

www.monroetufline.com

TO THE DEALER:

Assembly and proper installation of this product is the responsibility of the Tufline dealer. Read manual instructions and safety rules. Make sure all items on the Dealer's Pre-Delivery and Delivery Check Lists in the Owner's/Operator's Manual are completed before releasing equipment to the owner.

The dealer must complete the Warranty Registration located on page 20 and mail to Tufline

TO THE OWNER:

Read this manual before operating your Tufline equipment. The information presented will prepare you to do a better and safer job. Keep this manual handy for ready reference. Require all operators to read this manual carefully and become acquainted with all the adjustment and operating procedures before attempting to operate. Replacement manuals can be obtained from your selling dealer.

The equipment you have purchased has been carefully engineered and manufactured to provide dependable and satisfactory use. Like all mechanical products, it will require cleaning and upkeep. Lubricate the unit as specified. Observe all safety information in this manual and safety decals on the equipment.

For service, your authorized Tufline dealer has trained mechanics, genuine Tufline service parts, and the necessary tools and equipment to handle all your needs.

Use only genuine Tufline service parts. Substitute parts will void the warranty and may not meet standards required for safe and satisfactory operation. Record the model number and serial number of your equipment in the spaces provided:

Model: _____ Date of Purchase: _____

Serial Number: (see Safety Decal section for location) _____

Provide this information to your dealer to obtain correct repair parts.

Throughout this manual, the term **IMPORTANT** is used to indicate that failure to observe can cause damage to equipment. The terms **CAUTION**, **WARNING** and **DANGER** are used in conjunction with the Safety-Alert Symbol, (a triangle with an exclamation mark), to indicate the degree of hazard for items of personal safety.



This Safety-Alert Symbol indicates a hazard and means **ATTENTION! BECOME ALERT! YOUR SAFETY IS INVOLVED!**

DANGER

Indicates an imminently hazardous situation that, if not avoided, will result in death or serious injury.

WARNING

Indicates a potentially hazardous situation that, if not avoided, could result in death or serious injury, and includes hazards that are exposed when guards are removed.

CAUTION

Indicates a potentially hazardous situation that, if not avoided, may result in minor or moderate injury.

IMPORTANT

Indicates that failure to observe can cause damage to equipment.

NOTE

Indicates helpful information.

TABLE OF CONTENTS

INTRODUCTION	ii
SPECIFICATIONS	1
SAFETY DECALS	2
SAFETY RULES	3 - 6
PARTS CATALOG	7-9
OPERATION	10
ADJUSTMENT	11
MAINTENANCE	12
BOLT SIZE AND BOLT TORQUE CHART.	13
OPTIONAL EQUIPMENT	14-15
TROUBLE SHOOTING	16
WARRANTY	17-18
NOTES.	19
WARRANTY REGISTRATION.	20

SPECIFICATIONS

1" AXLE MODELS WITH FLANGE BEARINGS

Model #	Blades	Spacing	Width of Cut	Weight
1THE71618BF	16-18"	7 1/2"	5' 6"	659#
1THE72018BF	20-18"	7 1/2"	6' 8"	732#
1THE72020BF	20-20"	7 1/2"	6' 8"	800#
1THE91618BF	16-18"	9"	6' 4"	718#
1THE91620BF	16-20"	9"	6' 4"	766#
1THE971818BF	18-18"	9 - 7 1/2"	6' 8"	736#
1THE971820BF	18-20"	9 - 7 1/2"	6' 8"	757#

1 1/8" AXLE MODELS WITH FLANGE BEARINGS

Model #	Blades	Spacing	Width of Cut	Weight
THE71618BF	16-18"	7 1/2"	5' 6"	670#
THE72018BF	20-18"	7 1/2"	6' 8"	744#
THE72020BF	20-20"	7 1/2"	6' 8"	812#
THE91618BF	16-18"	9"	6' 4"	729#
THE91620BF	16-20"	9"	6' 4"	778#
THE971818BF	18-18"	9 - 7 1/2"	6' 8"	748#
THE971820BF	18-20"	9 - 7 1/2"	6' 8"	769#

1 1/8" AXLE MODELS WITH PILLOW BLOCK BALL BEARINGS

Model #	Blades	Spacing	Width of Cut	Weight
THE71618PB	16-18"	7 1/2"	5' 6"	695#
THE72018PB	20-18"	7 1/2"	6' 8"	765#
THE72020PB	20-20"	7 1/2"	6' 8"	825#
THE91618PB	16-18"	9"	6' 4"	750#
THE91620PB	16-20"	9"	6' 4"	798#
THE971818PB	18-18"	9 - 7 1/2"	6' 8"	768#
THE971820PB	18-20"	9 - 7 1/2"	6' 8"	789#

GENERAL INFORMATION

The purpose of this manual is to assist you in operating and maintaining your TUFLINE DISC. Read it carefully. It furnishes information and instructions that will help you achieve years of dependable performance.

These instructions have been compiled from field experience and engineering data. Some information may be general in nature, due to unknown and varying operating conditions. However, through experience and these instructions, you should be able to develop procedures suitable to

your particular situation.

The illustrations and data used in this manual were current at the time of printing. However, due to possible in line production changes, your machine may vary slightly in detail. We reserve the right to redesign and change the machines as may be necessary without notification.

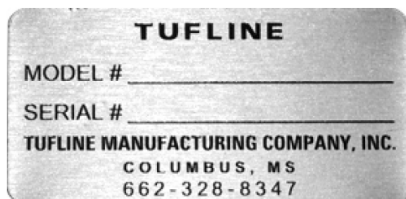
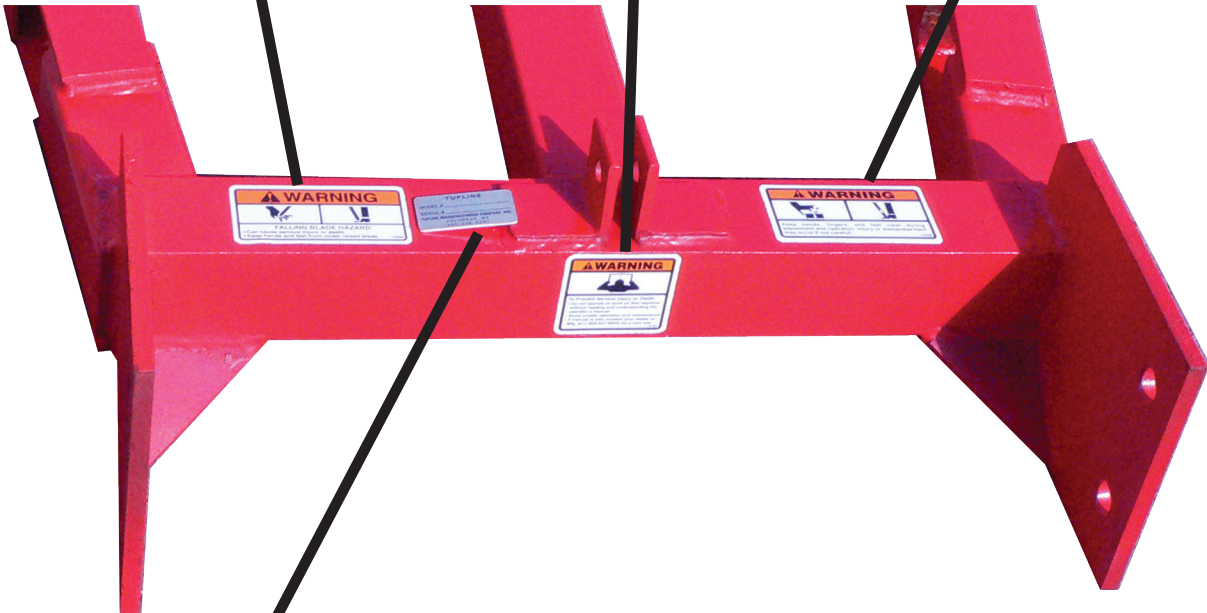
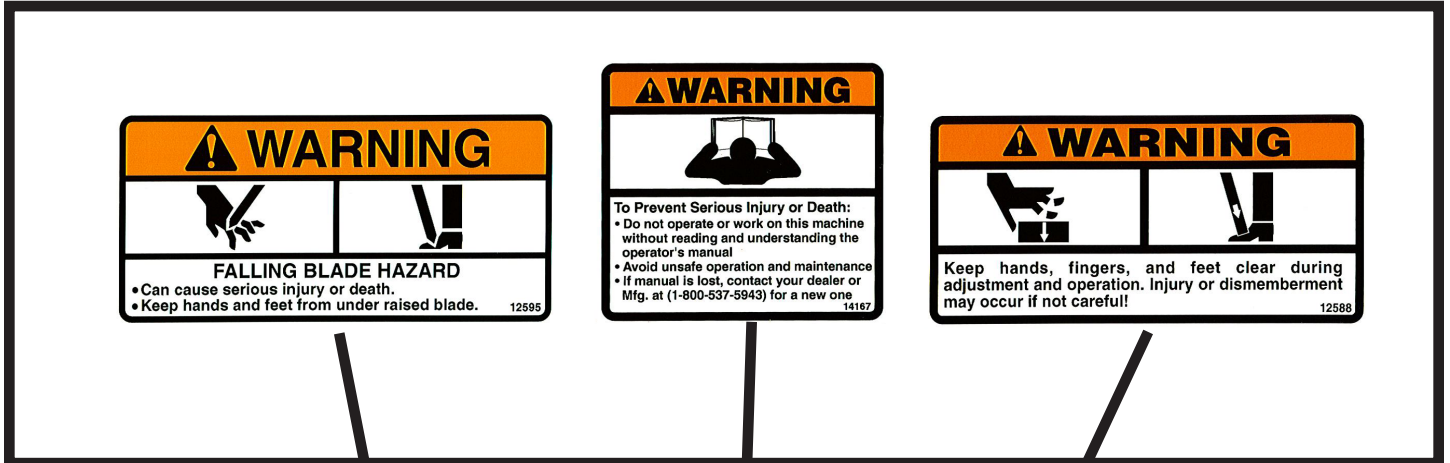
Throughout this manual, references are made to right and left direction. These are determined by standing behind the disc facing the direction of forward travel.

SAFETY & INSTRUCTIONAL DECALS

ATTENTION! BECOME ALERT! YOUR SAFETY IS INVOLVED!
FAILURE TO FOLLOW THESE INSTRUCTIONS COULD RESULT IN SERIOUS INJURY OR DEATH

Check that all safety decals are installed and in good condition. Replace if decals are worn or damaged. Replacement Part numbers are listed here.

Replace Decals Immediately If Damaged!





SAFETY RULES

ATTENTION! BECOME ALERT! YOUR SAFETY IS INVOLVED!



Safety is a primary concern in the design and manufacture of our products. Unfortunately, our efforts to provide safe equipment can be wiped out by an operator's single careless act.

In addition to the design and configuration of equipment, hazard control and accident prevention are dependent upon the awareness, concern, judgement, and proper training of personnel involved in the operation, transport, maintenance and storage of equipment.

It has been said "The best safety device is an informed, careful operator." We ask you to be that kind of operator.

TRAINING

- Safety instructions are important! Read all attachment and power unit manuals; follow all safety rules and safety decal information. (Replacement manuals are available from selling dealer.) Failure to follow instructions or safety rules can result in serious injury or death.
- If you do not understand any part of this manual and need assistance, see your dealer.
- Operators must be instructed in and be capable of the safe operation of the equipment, its attachments, and all controls. Do not allow anyone to operate this equipment without proper instructions.
- Never allow children or untrained persons to operate equipment.
- Train all new personnel and review instruction's frequently with existing workers. A person who has not read and understood all operating and safety instructions is not qualified to operate the machine. An untrained operator exposes himself and bystanders to possible serious injury or

death.

- Keep hands and body away from pressurized lines. Use paper or cardboard, not hands or other body parts to check for leaks. Wear safety goggles. Hydraulic fluid under pressure can easily penetrate skin and will cause serious injury or death.
- Make sure that all operating and service personnel know that if hydraulic fluid penetrates skin, it must be surgically removed as soon as possible by a doctor familiar with this form of injury or gangrene, serious injury, or death will result.

CONTACT A PHYSICIAN IMMEDIATELY IF FLUID ENTERS SKIN OR EYES. DO NOT DELAY.

PREPARATION

- Always wear relatively tight and belted clothing to avoid getting caught in moving parts. Wear sturdy, rough-soled work shoes and protective equipment for eyes, hair, hands, hearing, and head; and respirator or filter mask where appropriate.
- Make sure attachment is properly secured, adjusted, and in good operating condition.
- Air in hydraulic systems can cause erratic operation and allows loads or equipment components to drop unexpectedly. When connecting equipment or hoses or performing any hydraulic maintenance, purge any air in hydraulic system by operating all hydraulic functions several times. Do this before putting into service or allowing anyone to approach the equipment.
- Route hydraulic hoses carefully to prevent damage. Hoses must not be twisted, bent



SATETY RULES

ATTENTION! BECOME ALERT! YOUR SAFETY IS INVOLVED!



PREPARATION (cont'd)

sharply, kinked, frayed, pinched, or come into contact with any moving parts. Operate moveable components through full operational range to check clearances. Replace any damaged hose immediately.

- Do not connect a low-pressure hydraulic hose into a high-pressure system—it will burst the hose. Do not use a high-pressure hose in place of a low-pressure hose—it is possible to rupture the valve.
- Power unit must be equipped with ROPS or ROPS cab and seat belt. Keep seat belt securely fastened. Falling off power unit can result in death from being run over or crushed. Keep foldable ROPS system in “locked up” position at all times.
- Do not exceed this implements transport speed of 20 mph (32 kmh). Exceeding this speed may cause loss of control during transport or braking and serious injury or death.
- Transport only with a properly ballasted tractor and a properly attached safety tow chain.
- Do not transport with a motor vehicle.
- Reduce speed and use additional caution when on inclines, towing when on adverse surface conditions, and turning.

TRANSPORTATION

- Always comply with all state and local laws governing highway safety and lighting and marking requirements.
- Never allow riders on power unit or attachment.
- Do not operate or transport on steep slopes.

- Use extreme care and reduce ground speed on slopes and rough terrain.
- Do not operate or transport equipment while under the influence of alcohol or drugs. Consult your doctor about operating this machine while taking prescription medications.

OPERATION

- Never go underneath equipment in the raised or transport position unless the transport lock is in place. Never place any part of the body underneath equipment or between moveable parts even when the engine has been turned off.
- Hydraulic system leak down, hydraulic system failures, mechanical failures, or movement of control levers can cause equipment to drop or rotate unexpectedly and cause severe injury or death.
- Always comply with all state and local laws governing highway safety and lighting and marking requirements.
- Do not exceed this implements transport speed of 20 mph (32 kmh). Exceeding this speed may cause loss of control during transport or braking and serious injury or death.
- Transport only with a properly ballasted tractor and a properly attached safety tow chain.
- Do not transport with a motor vehicle.
- Reduce speed and use additional caution when on inclines, towing when on adverse surface conditions, and turning.
- Operate only in daylight or good artificial light.
- Keep bystanders away from equipment.



SAFETY RULES

ATTENTION! BECOME ALERT! YOUR SAFETY IS INVOLVED!



OPERATION (cont'd)

- Keep hands, feet, hair, and clothing away from equipment while engine is running. Stay clear of all moving parts.
- Power unit must be equipped with ROPS or ROPS cab and seat belt. Keep seat belt securely fastened. Falling off power unit can result in death from being run over or crushed. Keep foldable ROPS system in “locked up” position at all times.
- Never allow riders on power unit or attachment.
- Always sit in power unit seat when operating controls or starting engine. Securely fasten seat belt, place transmission in neutral, engage brake, and ensure all other controls are disengaged before starting power unit engine.
- Look down and to the rear and make sure area is clear before operating in reverse.
- Use extreme care when working close to fences, ditches, other obstructions, or on hillsides.
- Do not operate or transport on steep slopes.
- Do not stop, start, or change directions suddenly on slopes. Always operate down slopes; never across the face.
- Use extreme care and reduce ground speed on slopes and rough terrain.
- Keep alert and watch the front as well as the rear when operating.
- Always relieve the pressure on the hydraulic lift system before performing service or maintenance on any hydraulic components. Failure to do so may cause serious injury from injection of pressurized hydraulic fluid.

- Air in hydraulic systems can cause erratic operation and allows loads or equipment components to drop unexpectedly. When connecting equipment or hoses or performing any hydraulic maintenance, purge any air in hydraulic system by operating all hydraulic functions several times. Do this before putting into service or allowing anyone to approach the equipment.
- Do not use hands to search for leaks on any hydraulic components. Use cardboard or similar material. Failure to do so may cause serious injury from injection of pressurized hydraulic fluid.
- When making gang adjustments, be careful to keep hands and feet clear of sliding parts and possible pinch points.
- Stop power unit and equipment immediately upon striking an obstruction. Turn off engine, remove key, inspect, and repair any damage before resuming operation.
- Before leaving operator's seat, lower the lift carriage and put attachment on the ground. Engage brake, stop engine, remove key, and remove seat belt.

MAINTENANCE

- Always wear relatively tight and belted clothing to avoid getting caught in moving parts. Wear sturdy, rough-soled work shoes and protective equipment for eyes, hair, hands, hearing, and head; and respirator or filter mask where appropriate.
- Never go underneath equipment (lowered to the ground or raised) unless it is properly blocked and secured. Never place any part of the body underneath equipment or between



SAFETY RULES

ATTENTION! BECOME ALERT! YOUR SAFETY IS INVOLVED!



MAINTENANCE (cont'd)

moveable parts even when the engine has been turned off. Hydraulic system leak down, hydraulic system failures, mechanical failures, or movement of control levers can cause equipment to drop or rotate unexpectedly and cause severe injury or death.

- When performing maintenance or repairs make sure the equipment is in the lowered

position and both the mainframe and gangs are properly blocked and secured to prevent rolling. Failure to do so can cause serious injury or death.

- Make sure attachment is properly secured, adjusted, and in good operating condition.
- Before leaving operator's seat, lower the lift carriage and put attachment on the ground. Engage brake, stop engine, remove key, and remove seat belt.
- Never perform service or maintenance with engine running.
- Keep hands and body away from pressurized lines. Use paper or cardboard, not hands or other body parts to check for leaks. Wear safety goggles. Hydraulic fluid under pressure can easily penetrate skin and will cause serious injury or death.
- Air in hydraulic systems can cause erratic operation and allows loads or equipment components to drop unexpectedly. When connecting equipment or hoses or performing any hydraulic maintenance, purge any air in hydraulic system by operating all hydraulic functions several times. Do this before putting into service or allowing anyone to approach the equipment.

- Route hydraulic hoses carefully to prevent

damage. Hoses must not be twisted, bent sharply, kinked, frayed, pinched, or come into contact with any moving parts. Operate moveable components through full operational range to check clearances. Replace any damaged hose immediately.

- Do not connect a low-pressure hydraulic hose into a high-pressure system—it will burst the hose. Do not use a high-pressure hose in place of a low pressure hose—it is possible to rupture the valve.
- Make sure that all operating and service personnel know that if hydraulic fluid penetrates skin, it must be surgically removed as soon as possible by a doctor familiar with this form of injury or gangrene, serious injury, or death will result.

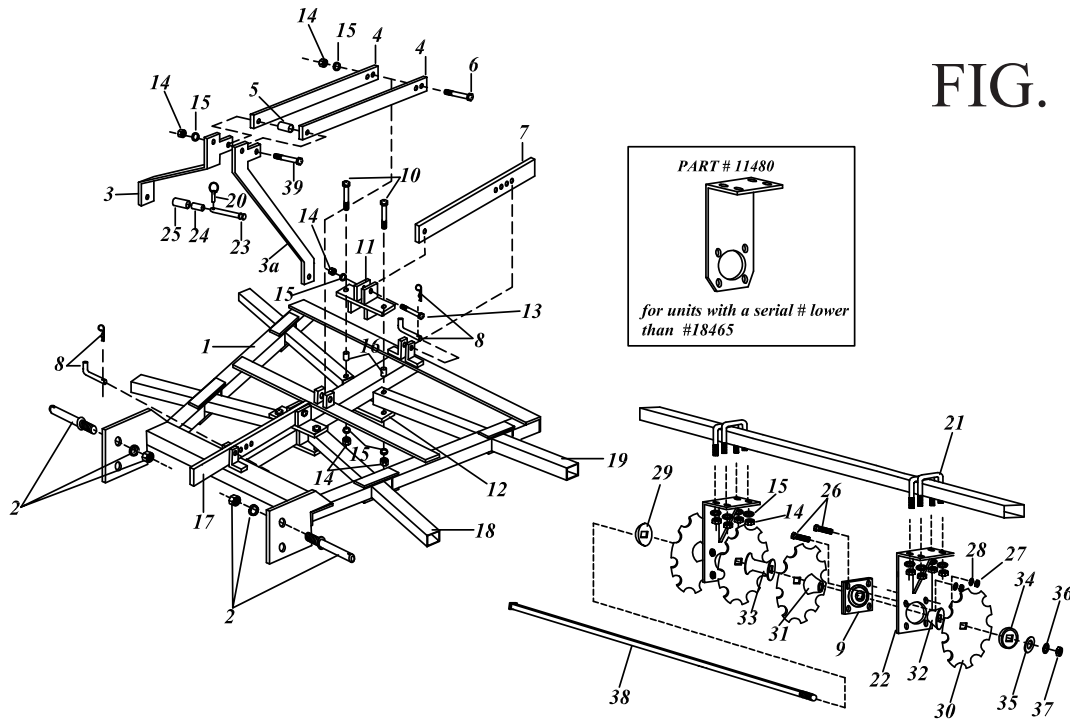
CONTACT A PHYSICIAN IMMEDIATELY IF FLUID ENTERS SKIN OR EYES. DO NOT DELAY.

- Keep all persons away from operator control area while performing adjustments, service, or maintenance.
- Tighten all bolts, nuts, and screws to torque chart specifications (page 13). Check that all cotter pins are installed securely to ensure equipment is in a safe condition before putting unit into service.

STORAGE

- Block equipment securely for storage in the lowered position.
- Keep children and bystanders away from storage area.

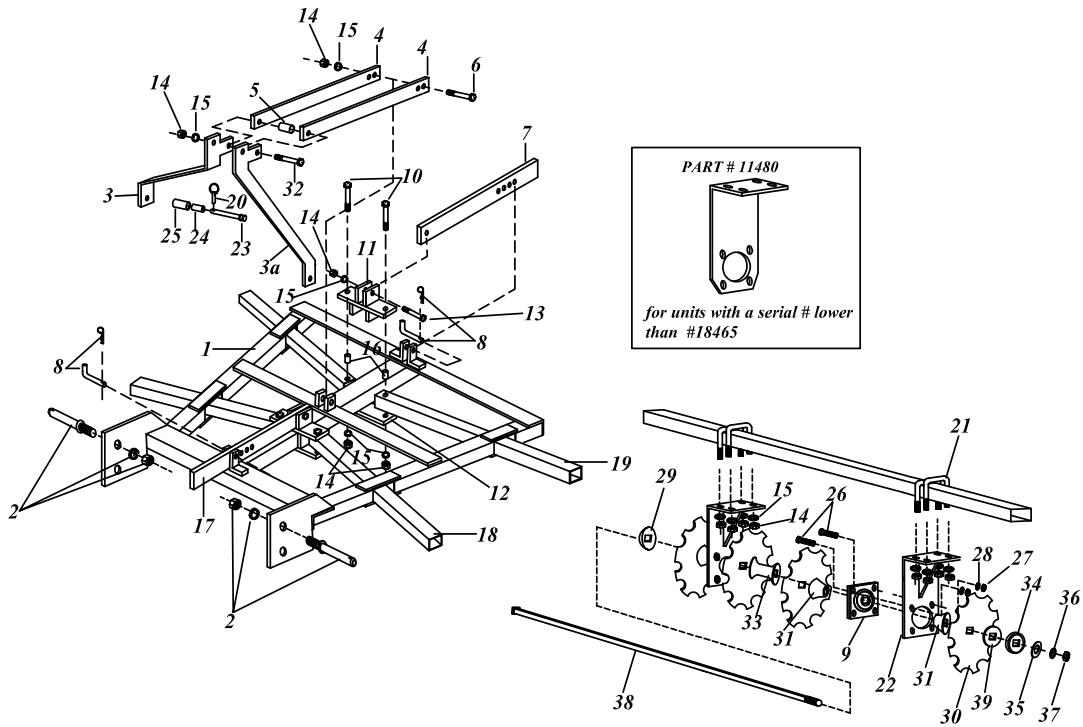
FIG. 1



THE/BF MAIN FRAME & 1" GANG ASSEMBLY

**1THE71618BF, 1THE72018BF, 1THE72020BF, 1THE91618BF
1THE91620BF, 1THE971818BF, 1THE971820BF**

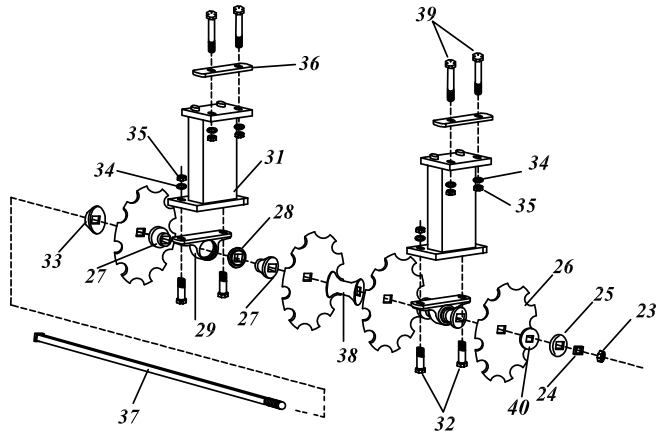
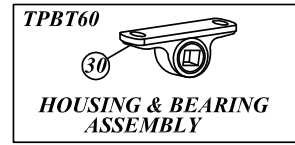
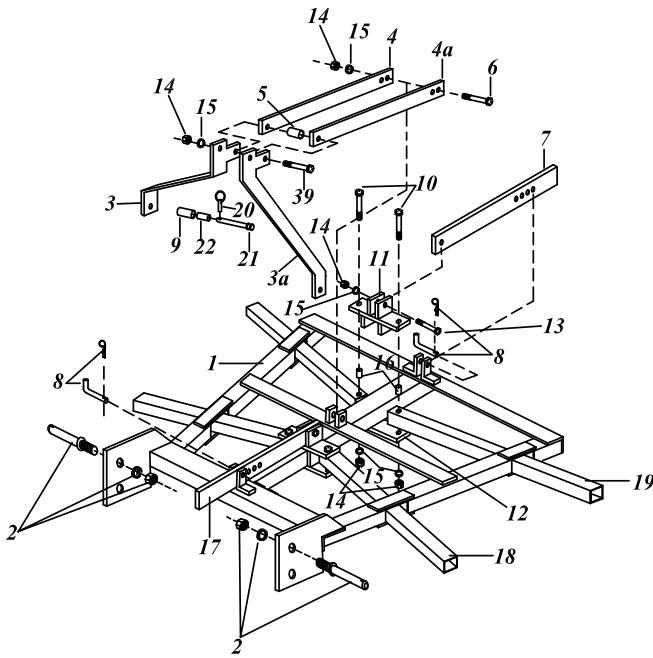
REF.#	PART #	DESCRIPTION	REF.#	PART #	DESCRIPTION
1	11383	MAIN FRAME	26	T-804	1/2"X1 1/2" CARRIAGE BOLT, GR.2
2	T-33	HITCH PIN,7/8"CATI W/NUT & WASHER	27	T-26	HEX NUT, 1/2"
3	15560	A-FRAME HITCH, 2 1/2" RIGHT	28	T-25	LOCK WASHER, 1/2"
3A	15559	A-FRAME HITCH 2 1/2" LEFT	29	13423	BUMPER WASHER, 1"
4	14994	STRUT, 29 3/4"	30	5-18118-1	DISC BLADE 18" X 1" PLAIN
		STRUT, 29 3/4"		5-18118-2	DISC BLADE 18" X 1" NOTCHED
5	9653	1 1/2" STRUT SPACER		2-20138-1	DISC BLADE 20" X 1" PLAIN
6	T-742	5/8"X 3 1/2",GR.5 HEX BOLT		2-20138-2	DISC BLADE 20" X 1" NOTCHED
7	12443	18 1/2" REAR ADJUSTING BAR	31	13427	END SPACER, 1" X 3 5/8"
8	9690	ADJUSTING BAR PIN W/PIN		13428	END SPACER, 1" X 5 1/8"
9	13689	1" FLANGE & BEARING ASSEMBLY	32	13426	END SPACER, 1" X 2 3/8"
10	T-745	5/8"X 5"GR.2 HEX BOLT	33	13424	SPACER SPOOL, 1" X 7 1/2"
11	12895	TOP ADJUSTING PLATE		13425	SPACER SPOOL, 1" X 9"
12	12896	BOTTOM ADJUSTING PLATE	34	13422	END WASHER, 1"
13	9192	5/8"X2 1/2"GR.5 HEX BOLT	35	T-606	FLAT WASHER, 1"
14	T-22	5/8" HEX NUT	36	T-34	LOCK WASHER, 1"
15	T-24	5/8" LOCK WASHER	37	10332	LOCK NUT 1"
16	T-56	BUSHING, 5/8" X 3 1/16"	38	13429	AXLE 1" X 25 3/4" (4 BLADE, 7 1/2" SPACING)
17	10608	20" FRONT ADJUSTING BAR		13433	AXLE 1" X 30 1/2" (4 BLADE, 9" SPACING)
18	11505	FRONT GANG BEAM 3" X 3" X 24"		13430	AXLE 1" X 33 1/4" (5 BLADE, 7 1/2" SPACING)
	12293	FRONT GANG BEAM 3" X 3" X 29"	39	T-724	HEX BOLT, 5/8" X 4" GR.2
	T-163	FRONT GANG BEAM 3" X 3" X 33"			
T-63	REAR GANG BEAM 3 X 3 X 27"				
19	T-163	REAR GANG BEAM 3 X 3 X 33"			
	T-632	REAR GANG BEAM 3 X 3 X 37"			
	VP252	LYNCH PIN			
21	11139	5/8"U-BOLT FOR 3"X3" GANG BEAM			
22	14419	BF GANG HANGER W/BRACE			
23	15206	CAT 1 TOP LINK PIN,3 7/8" USABLE			
24	15209	CAT 1 BUSHING, 1 15/16"			
25	15210	CAT 2 BUSHING, 1 15/16"			



THE/BF MAIN FRAME & 1 1/8" GANG ASSEMBLY

**THE71618BF, THE72018BF, THE72020BF, THE91618BF
THE91620BF, THE971818BF, THE971820BF**

REF.#	PART #	DESCRIPTION	REF.#	PART #	DESCRIPTION
1	11383	MAIN FRAME	26	T-804	1/2"X1 1/2" CARRIAGE BOLT, GR.2
2	T-33	HITCH PIN, 7/8" CAT1 W/NUT & WASHER	27	T-26	HEX NUT, 1/2"
3	15560	A-FRAME HITCH, 2 1/2" RIGHT	28	T-25	LOCK WASHER, 1/2"
3A	15559	A-FRAME HITCH 2 1/2" LEFT	29	T-2	BUMPER WASHER, 1 1/8"
4	14994	STRUT, 29 3/4"	30	2-18138-1	DISC BLADE 18" X 1 1/8" PLAIN
		STRUT, 29 3/4"		2-18138-2	DISC BLADE 18" X 1 1/8" NOTCHED
5	9653	1 1/2" STRUT SPACER		2-20138-1	DISC BLADE 20" X 1 1/8" PLAIN
6	T-742	5/8"X3 1/2", GR.5 HEX BOLT		2-20138-2	DISC BLADE 20" X 1 1/8" NOTCHED
7	12443	18 1/2" REAR ADJUSTING BAR		T-46	END SPACER, 1 1/8" X 3" (7 1/2" SPACING)
8	9690	ADJUSTING BAR PIN W/CLIP PIN	T-48	END SPACER, 1 1/8" X 3 3/4" (9" SPACING)	
9	15564	1 1/8" FLANGE & BEARING ASSEMBLY	32	T-724	HEX BOLT, 5/8" X 4" GR.2
10	T-745	5/8"X 5" GR.2 HEX BOLT	33	14906	SPACER SPOOL, 1" X 7 1/2"
11	12895	TOP ADJUSTING PLATE		14905	SPACER SPOOL, 1" X 9"
12	12896	BOTTOM ADJUSTING PLATE	34	T-1	END WASHER, 1 1/8"
13	9192	5/8"X2 1/2" GR.5 HEX BOLT	35	T-698	FLAT WASHER, 1 1/8"
14	T-22	5/8" HEX NUT	36	T-20	LOCK WASHER, 1 1/8"
15	T-24	5/8" LOCK WASHER	37	T-18A	LOCK NUT 1 1/8"
16	T-56	BUSHING, 5/8" X 3 1/16"	38	T-132	AXLE 1 1/8" X 26 1/2" (4 BLADE, 7 1/2" SPACING)
17	10608	20" FRONT ADJUSTING BAR		T-13	AXLE 1 1/8" X 31" (4 BLADE, 9" SPACING)
18	11505	FRONT GANG BEAM 3" X 3" X 24"		T-133	AXLE 1 1/8" X 34" (5 BLADE, 7 1/2" SPACING)
	12293	FRONT GANG BEAM 3" X 3" X 29"	39	11170	SQ. HOLE FLAT WASHER
	T-163	FRONT GANG BEAM 3" X 3" X 33"			
T-63	REAR GANG BEAM 3" X 3" X 27"				
19	T-163	REAR GANG BEAM 3" X 3" X 33"			
	T-632	REAR GANG BEAM 3" X 3" X 37"			
20	VP252	LYNCH PIN			
21	11139	5/8" U-BOLT FOR 3" X 3" GANG BEAM			
22	14419	BF GANG HANGER W/BRACE			
23	15206	CAT 1 TOP LINK PIN, 3 7/8" USABLE			
24	15209	CAT 1 BUSHING, 1 15/16"			
25	15210	CAT 2 BUSHING, 1 15/16"			



**THE/PB MAIN FRAME
& 1 1/8" PILLOW BLOCK GANG ASSEMBLY**
THE71618PB, THE72018PB, THE72020PB, THE91618PB
THE91620PB, THE971818PB, THE971820PB

REF.#	PART #	DESCRIPTION	REF.#	PART #	DESCRIPTION
1	11383	MAIN FRAME	23	T-18A	LOCK NUT, 1 1/8"
2	T-33	HITCH PIN, 7/8" CAT 1 W/NUT & WASHER	24	T-20	LOCK WASHER, 1 1/8"
3	15560	A-FRAME HITCH, 2 1/2" RIGHT	25	T-1	END WASHER, 1 1/8"
3A	15559	A-FRAME HITCH 2 1/2" LEFT	26	2-18138-1	18" PLAIN BLADE
4	14994	STRUT, 29 3/4"		2-18138-2	18" NOTCHED BLADE
4	9653	1 1/2" STRUT SPACER		2-20138-1	20" PLAIN BLADE
5	T-742	5/8" X 3 1/2" GR.5 HEX BOLT		2-20138-2	20" NOTCHED BLADE
6	12443	18 1/2" REAR ADJUSTING BAR	27	T-46	END SPACER, (FOR 7 1/2" SPACING)
7	9690	ADJUSTING BAR PIN W/CLIP PIN		T-48	END SPACER, (FOR 9" SPACING)
8	15210	CAT 2 BUSHING, 1 15/16"	28	T-60	BEARING, 1 1/8" (W208PPB5)
9	T-745	5/8" X 5" GR.2 HEX BOLT	29	TPB	PILLOW BLOCK BEARING HOUSING
10	12895	TOP ADJUSTING PLATE	30	TPBT60	PB HOUSING & BEARING ASSEMBLY
11	12896	BOTTOM ADJUSTING PLATE	31	T-41	GANG HANGER
12	9192	5/8" X 2 1/2" GR.5 HEX BOLT	32	T-740	HEX BOLT, 5/8" X 2" GR. 2
13	T-22	5/8" HEX NUT	33	T-2	BUMPER WASHER, 1 1/8"
14	T-24	5/8" LOCK WASHER	34	T-24	LOCK WASHER, 5/8"
15	T-56	BUSHING, 5/8" X 3 1/16"	35	T-22	HEX NUT, 5/8"
16	10608	20" FRONT ADJUSTING BAR	36	T-714	GANG BEAM STRAP, 2 1/2"
17	11505	FRONT GANG BEAM 3" X 3" X 24"	37	T-132	AXLE, 1 1/8" X 26 1/2" (4 BLADE, 7 1/2" SPACING)
	12293	FRONT GANG BEAM 3" X 3" X 29"		T-13	AXLE, 1 1/8" X 31" (4 BLADE, 9" SPACING)
	T-163	FRONT GANG BEAM 3" X 3" X 33"		T-133	AXLE, 1 1/8" X 34" (5 BLADE, 7 1/2" SPACING)
18	T-63	REAR GANG BEAM 3" X 3" X 27"	38	14905	SPACER SPOOL, 1 1/8" X 9"
	T-163	REAR GANG BEAM 3" X 3" X 33"		14906	SPACER SPOOL, 1 1/8" X 7 1/2"
	T-632	REAR GANG BEAM 3" X 3" X 37"	39	T-745	HEX BOLT, 5/8" X 5" GR. 5
19	T-632	REAR GANG BEAM 3" X 3" X 37"	40	11170	SQ. HOLE WASHER
20	VP252	LYNCH PIN			
21	15206	CAT 1 TOP LINK PIN, 3 7/8" USABLE			
22	15209	CAT 1 BUSHING, 1 15/16"			

Operation

Safety is a primary concern in the design and manufacture of our products. Unfortunately, our efforts to provide safe equipment can be wiped out by an operator's single careless act.

In addition to the design and configuration of equipment, hazard control and accident prevention are dependent upon the awareness, concern, judgement, and proper training of personnel involved in the operation, transport, maintenance and storage of equipment.

It has been said "The best safety device is an informed, careful operator." We ask you to be that kind of operator.

The operator is responsible for the safe operation of this equipment. The operator must be properly trained. Operators should be familiar with the equipment, the tractor, and all safety practices before starting operation. Read the safety rules and safety decals on pages 2-6.

Owner should check and tighten all hardware after the first hour of operation. The break in stage of your new disc harrow can cause minimal loosening of disc gangs and other hardware as the new paint wears. Please see Bolt Torque Chart (page 13) for proper torque information.



WARNING

- Power unit must be equipped with ROPS or ROPS cab and seat belt. Keep seat belt securely fastened. Falling off power unit can result in death from being run over or crushed. Keep foldable ROPS systems in "locked up" position at all times.

- Never allow children or untrained persons to operate equipment.

- Keep bystanders away from equipment.

- NEVER GO UNDERNEATH EQUIPMENT. Never place any part of the body underneath equipment or between moveable parts even when the engine has been turned off. Hydraulic system leak down, hydraulic system failures, mechanical failures, or movement of control levers can cause equipment to drop or rotate

unexpectedly and cause severe injury or death.

- Service work does not require going underneath.

- Read Manual for service instructions or have service performed by a qualified dealer.

- Stop tractor and implement immediately upon striking an obstruction. Turn off engine, remove key, inspect, and repair any damage before resuming operation.

- Always wear relatively tight and belted clothing to avoid entanglement in moving parts. Wear sturdy, rough-soled work shoes and protective equipment for eyes, hair, hands, hearing, and head.

Owner/Operator Pre-Operation Checklist

(Owner's/Operator's Responsibility)

____ Review and follow all safety rules and safety decal instructions on page 2 through page 6.

____ Check that equipment is properly and securely attached to tractor.

____ Check that all safety decals are installed and in good condition. Replace if damaged.

____ Check that all hardware is properly installed and secured.

____ Do not allow riders.

____ Make sure tractor ROPS or ROPS CAB and seat belt are in good condition. Keep seat belt securely fastened during operation.

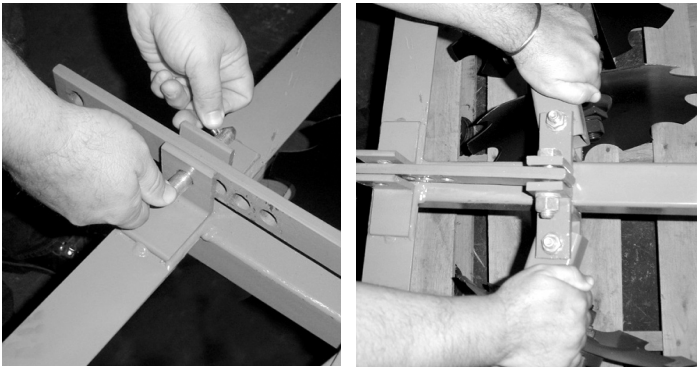
Adjusting Gang Angle



CAUTION

When making gang adjustments, be careful to keep hands and feet clear of sliding parts and possible pinch points.

The gang angles on the THE series disc are adjustable. The unit should be lifted two to three inches off the ground with the tractor hitch system for an easier adjustment. Remove cotter key and then pin and set angle at the desired setting. Make sure that the pin and cotter key is replaced properly after setting to secure the gang angles. (See photos below)

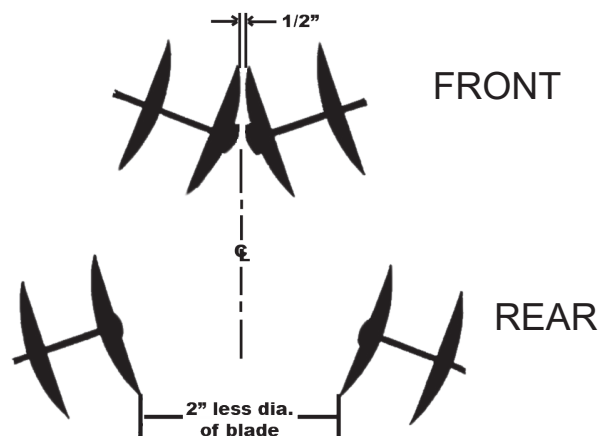


It is important that only one adjustment be made at a time and then tried between each adjustment. Remember each adjustment affects another; therefore, extreme care should be used when adjusting.

Each trial run should be made with the tractor in the same gear and approximately the same RPM. Changing discing speed while attempting to adjust will result in excessive time and labor loss due to changing conditions.

While making your initial run, observe the disc closely as it is traveling. It should be level from the front to rear as it travels. If not, level it by adjustment of your tractor top link. After making the necessary adjustment, the disc should pull level with both front and rear gangs penetrating the soil at approximately the same depth.

Now observe the soil behind the disc. It should be level and smooth. If after making the above adjustments, the disc leaves a water furrow in the center, it would indicate that the front gangs are more aggressive than the rear gangs. To correct this, either increase the angle of the rear gangs or decrease the angle of the front gangs. Conversely, if the disc is ridging, that is leaving a ridge behind it, this would indicate that the rear gang is more aggressive than the front gang. To correct this, either decrease the angle of the rear gang or increase the angle of the front gangs.



Owner Service

WARNING

- NEVER GO UNDERNEATH EQUIPMENT. Never place any part of the body underneath equipment or between moveable parts even when the engine has been turned off. Hydraulic system leak down, hydraulic system failures, mechanical failures, or movement of control levers can cause equipment to drop or rotate unexpectedly and cause severe injury or death.
- Service work does not require going underneath.
- Read Manual for service instructions or have service performed by a qualified dealer.

WARNING

The information in this section is written for operators who possess basic mechanical skills. If you need help, your dealer has trained service technicians available. For your protection, read and follow the safety information in this manual.

- Keep all persons away from operator control area while performing adjustments, service, or maintenance.
- Before dismounting power unit or performing any service or maintenance, follow these steps: disengage power to equipment, lower the 3 point hitch and all raised components to the ground, operate valve levers to release any hydraulic pressure, set parking brake, stop engine, remove key, and unfasten seat belt.

CAUTION

- Always wear relatively tight and belted clothing to avoid entanglement in moving parts. Wear sturdy, rough-soled work shoes and protective equipment for eyes, hair, hands, hearing, and head.

Gang Assembly for Maintenance

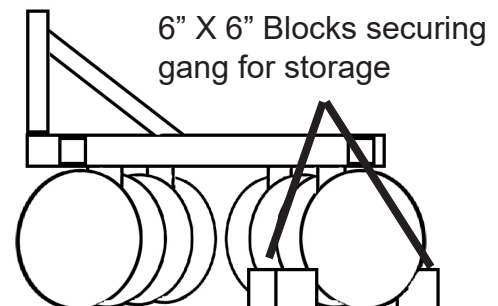
WARNING

- When performing maintenance or repairs make sure the equipment is in the lowered position and both the mainframe and gangs are properly blocked and secured to prevent rolling. Failure to do so can cause serious injury or death.

When gang component replacement is required, carefully observe all safety issues. Place unit on level ground prior to gang drop. Also make sure that gangs are blocked to keep them from rolling in either direction. After unit is lowered to ground and gangs are secure, loosen nuts on all u-bolts holding hangers to main frame (item 21). Observe the sequence and location of each gang component and refer to the gang diagram on Figure 1 for removal and replacement of the desired component. After replacement is completed reinstall gang parts in proper order as shown on gang diagram on Figure 1. Make sure that the gang nut on the gang axle is properly tightened after replacements are made. Refer to “ Bolt Tightening Torque Chart” on page 13 for proper torque.

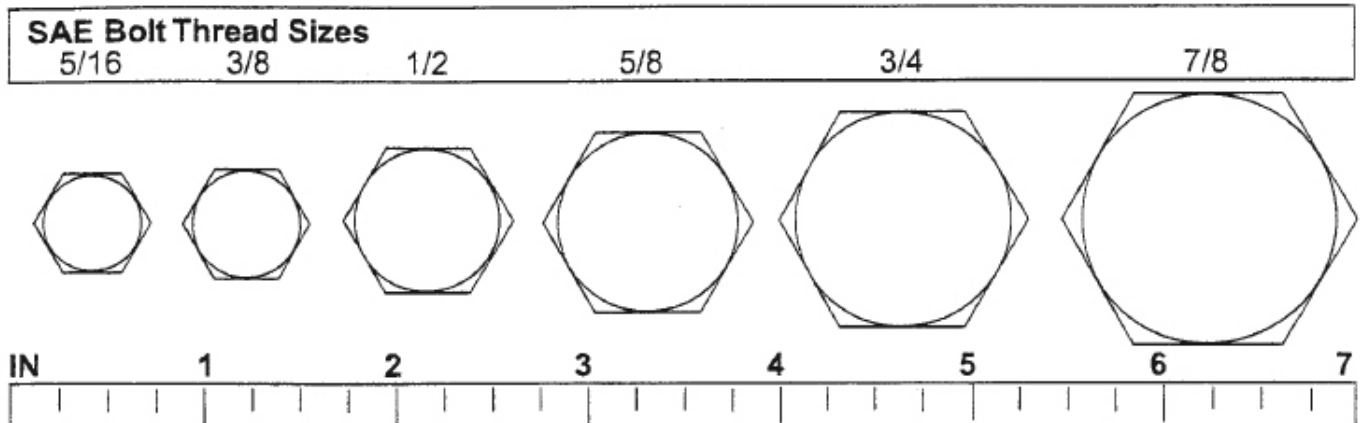
Storage

When storing your disc harrow make sure the unit is placed on level ground and that the gangs are properly chocked by bracing with 6”x6” blocks on the front and rear side of one complete gang assembly. See the diagram below.

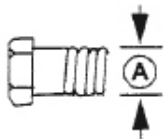


Bolt Size Chart

NOTE: Chart shows bolt thread sizes and corresponding head (wrench) sizes for standard SAE and metric bolts.



SAE Torque Chart



SAE SERIES TORQUE CHART



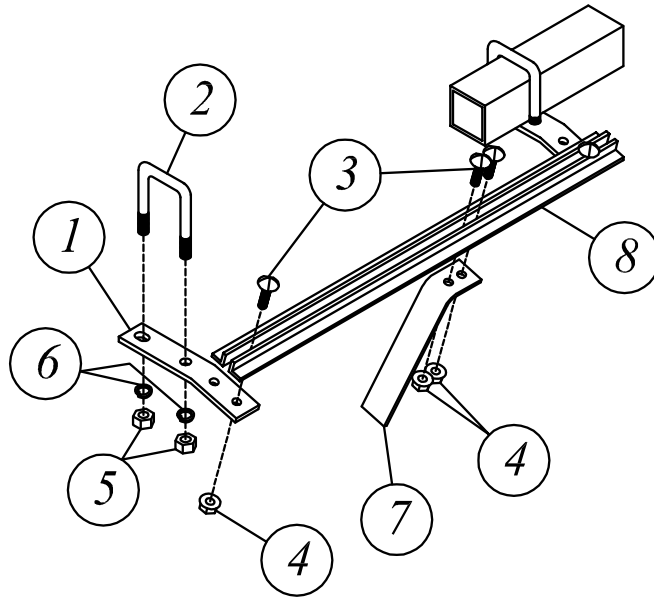
SAE Bolt Head Identification



A Diameter (Inches)	Wrench Size	MARKING ON HEAD					
		SAE 2		SAE 5		SAE 8	
		lbs-ft	N-m	lbs-ft	N-m	lbs-ft	N-m
1/4"	7/16"	6	8	10	13	14	18
5/16"	1/2"	12	17	19	26	27	37
3/8"	9/16"	23	31	35	47	49	67
7/16"	5/8"	36	48	55	75	78	106
1/2"	3/4"	55	75	85	115	120	163
9/16"	13/16"	78	106	121	164	171	232
5/8"	15/16"	110	149	170	230	240	325
3/4"	1-1/8"	192	261	297	403	420	569
7/8"	1-5/16"	306	416	474	642	669	907
1"	1-1/2"	467	634	722	979	1020	1383

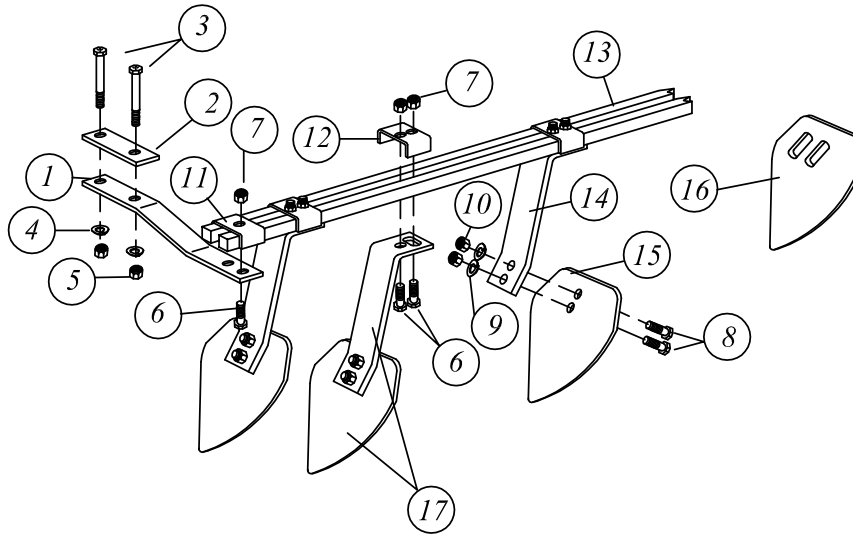
DH13 Series gang bolt torque 795 lbs-ft 1080 N-m

13 Bolt Size and Bolt Torque Chart



*REGULAR SCRAPER KIT
THREE POINT LIFT DISC*

<i>REF #</i>	<i>PART#</i>	<i>DESCRIPTION</i>	
<i>1</i>	<i>12889</i>	<i>REGULAR SCRAPER BAR HOLDER</i>	
<i>2</i>	<i>11139</i>	<i>U-BOLT, 5/8" FOR 3 X 3 (THE, TH, & THF)</i>	
<i>3</i>	<i>T-805</i>	<i>CARRIAGE BOLT, 1/2" X 2" GR. 2</i>	
<i>4</i>	<i>9226</i>	<i>FLANGE LOCK NUT, 1/2"</i>	
<i>5</i>	<i>T-22</i>	<i>HEX NUT, 5/8"</i>	
<i>6</i>	<i>T-24</i>	<i>LOCK WASHER, 5/8"</i>	
<i>7</i>	<i>T-265</i>	<i>REGULAR SCRAPER BLADE</i>	
<i>REF #</i>	<i>PART#</i>	<i>DESCRIPTION</i>	<i>MODEL USED ON</i>
<i>8</i>	<i>14979</i>	<i>REGULAR SCRAPER BAR, 24"</i>	<i>FRONT - THE716 REAR - THE716</i>
	<i>14980</i>	<i>REGULAR SCRAPER BAR, 29"</i>	<i>FRONT - THE916, THE9718 REAR - TME916, THE916</i>
	<i>12307</i>	<i>REGULAR SCRAPER BAR, 33"</i>	<i>FRONT - THE720 REAR - THE9718, THE720</i>



HEAVY SCRAPER KIT THREE POINT LIFT DISC

REF #	PART#	DESCRIPTION	REF #	PART#	DESCRIPTION
1	12892	SCRAPER BAR MOUNTING BRACKET	13		HEAVY SCRAPER BAR (SEE BELOW)
2	12090	SCRAPER BAR TOP MOUNTING PLATE 3" X 3"	14	10151	SCRAPER ARM
3	T-745	HEX BOLT, 5/8" X 5" GR.2	15	11081	SCRAPER BLADE
4	T-24	LOCKWASHER, 5/8"	16	11065	OUTRIGGER SCRAPER BLADE
5	T-22	HEX NUT, 5/8"	17	11027	ARM & BLADE ASSEMBLY
6	11082	HEX BOLT, 1/2" X 2 1/2" GR.2			RIGHT FRONT/ LEFT REAR WITH SCRAPER ARM
7	9226	FLANGE LOCK NUT, 1/2"		11028	ARM & BLADE ASSEMBLY
8	T-733	HEX BOLT, 1/2" X 1 1/2" GR.2			LEFT FRONT/ RIGHT REAR WITH SCRAPER ARM
9	T-25	LOCKWASHER, 1/2"			
10	T-26	HEX NUT, 1/2"			
11	T-803	CLAMP, 1 HOLE			
12	9356	CLAMP, 2 HOLE			

REF. # 13 HEAVY SCRAPER BAR

PART #	DESCRIPTION	MODEL USE ON
12337	HEAVY SCRAPER BAR, 27"	FRONT - THE916, TH918 REAR - THE916
T-261	HEAVY SCRAPER BAR, 33"	FRONT - THE720 REAR - THE9718, THE720

15 Optional Equipment

Gang Adjustment Trouble Shooting

- | | |
|---|---|
| 1. Unit not tracking or is fishtailing | A. Adjust top link to increase weight on the rear of the disc.
B. Disc assembled incorrectly. Refer to assembly instructions. |
| 2. Unit not tracking: skipping, jumping, and fishtailing (in untilled, hard soil) | A. Insure equal cut or depth on front and rear.
B. Reduce speed.
C. Reduce gang angle.
D. Reduce depth of cut by carrying on 3 point lift discing shallow the first time over. NOTE: Some experimentation may be required by trial and error to arrive at proper solution. |
| 3. Unit leaving water furrow in center. | A. Increase speed.
B. Increase angle on rear gangs.
C. Decrease angle on front gangs.
D. Disc not level. Lower rear gangs or raise front gangs.
E. Any combination of the above. |
| 4. Unit ridging or leaving behind a high spot in center of machine. | A. Decrease speed.
B. Decrease angle on rear gangs.
C. Increase angle on front gangs.
D. Disc not level. Raise rear gangs or lower front gangs.
E. Any combination of the above |
| 5. Blades plugging with soil or trash. | A. Add optional scraper kit (Page 14-15). If already equiped, re-adjust them.
B. Soil conditions not suitable for discing due to excessive moisture. |

WARRANTY

Please enter information below and save for future reference:

Date Purchase: _____ From (Dealer): _____
Model Number: _____ Serial Number: _____

Monroe-Tuflin Manufacturing Co., Inc. ("Monroe-Tuflin") warrants this product to be free from defect in material and workmanship. Except as otherwise set forth below, the duration of this Warranty shall be for SIX (6) MONTHS COMMENCING ON THE DATE OF DELIVERY OF THE PRODUCT TO THE ORIGINAL PURCHASER.

Under no circumstances will this Warranty apply in the event that the product, in the good faith opinion of Monroe-Tuflin, has been subjected to improper operation, improper maintenance, misuse, or an accident. This Warranty does not apply in the event that the product has been materially modified or repaired by someone other than Monroe-Tuflin, a Monroe-Tuflin authorized dealer or distributor, and/or a Monroe-Tuflin authorized service center. This Warranty does not cover normal wear or tear, or normal maintenance items. This Warranty also does not cover repairs made with parts other than those obtainable through Monroe-Tuflin.

This Warranty is extended solely to the original purchaser of the product. Should the original purchaser sell or otherwise transfer this product to a third party, this Warranty does not transfer to the third party purchaser in any way. There are no third party beneficiaries of this Warranty.

Monroe-Tuflin makes no warranty, express or implied, with respect to cutting edges, shanks, tires or other parts or accessories not manufactured by Monroe-Tuflin. Warranties for these items, if any, are provided separately by their respective manufacturers.

Monroe-Tuflin's obligation under this Warranty is limited to, at Monroe-Tuflin's option, the repair or replacement, free of charge, of the product if Monroe-Tuflin, in its sole discretion, deems it to be defective or in noncompliance with this Warranty. Such parts shall be provided by the selling dealer to the user during regular working hours. If requested, the product must be returned to Monroe-Tuflin with proof of purchase within thirty (30) days after such defect or noncompliance is discovered or should have been discovered, routed through the dealer and distributor from whom the purchase was made, transportation charges prepaid. Monroe-Tuflin shall complete such repair or replacement within a reasonable time after Monroe-Tuflin receives the product. THERE ARE NO OTHER REMEDIES UNDER THIS WARRANTY. THE REMEDY OF REPAIR OR REPLACEMENT IS THE SOLE AND EXCLUSIVE REMEDY UNDER THIS WARRANTY.

THERE ARE NO WARRANTIES WHICH EXTEND BEYOND THE DESCRIPTION ON THE FACE OF THIS WARRANTY. MONROE-TUFLIN MAKES NO OTHER WARRANTY, EXPRESS OR IMPLIED, AND MONROE-TUFLIN SPECIFICALLY DISCLAIMS ANY IMPLIED WARRANTY OF MERCHANTABILITY AND/OR ANY IMPLIED WARRANTY OF FITNESS FOR A PARTICULAR PURPOSE (EXCEPT WHERE PROHIBITED BY LAW).

Monroe-Tuflin shall not be liable for any incident or consequential losses, damages or expenses, arising directly or indirectly from the product, whether such claim is based upon breach of contract, breach of warranty, negligence, strict liability in tort or any other legal theory. Monroe-Tuflin's obligation under this warranty, to the extent allowed by law, is in lieu of all warranties, implied or expressed for a particular purpose and any liability for incidental and consequential damages with respect to the sale or use of the items warranted. Such incidental and consequential damages shall include but not be limited to: transportation charges other than normal freight charges; loss of crops or any other loss of income; rental of substitute equipment, expenses due to loss, damage, detention or delay in the delivery of equipment or parts resulting from acts beyond the control of Monroe-Tuflin.

This Warranty is subject to any existing conditions of supply which may directly affect Monroe-Tuflin's ability to obtain materials or manufacture replacement parts.

No agent, representative, dealer, distributor, serviceperson, salesperson, or employee of any company, including without limitation, Monroe-Tuflin, its authorized dealers, distributors, and service centers, is authorized to alter, modify, or enlarge this Warranty.

This Warranty is subject to the warranty registration being submitted. For warranty services, contact your selling dealer.

WARRANTY FOR PARTS

Monroe-Tufline Manufacturing Co., Inc. ("Monroe-Tufline") warrants its parts to be free from defect in material and workmanship for a period of ninety (90) days from the date of delivery of the part(s) to the original purchaser.

Replacement or repair parts installed in the equipment covered by warranty are warranted for ninety (90) days from date of purchase of such part or to the expiration of the applicable new equipment warranty period, whichever occurs later.

Under no circumstances will this Warranty apply in the event that the product the parts are installed in, in the good faith opinion of Monroe-Tufline, has been subjected to improper operation, improper maintenance, misuse, or an accident. This Warranty does not cover normal wear or tear, or normal maintenance items.

This Warranty is extended solely to the original purchaser of the product. Should the original purchaser sell or otherwise transfer this product to a third party, this Warranty does not transfer to a third party purchaser in any way. There are no third party beneficiaries of this Warranty.

Monroe-Tufline's obligation under this Warranty is limited to, at Monroe-Tufline's option, the repair or replacement, free of charge, of the product if Monroe-Tufline, in its sole discretion, deems it to be defective or in noncompliance with this Warranty. The selling dealer shall provide such parts to the user during regular working hours. If requested, the product must be returned to Monroe-Tufline with proof of purchase within thirty (30) days after such defect or noncompliance is discovered or should have been discovered, routed through the dealer and distributor from whom the purchase was made, transportation charges prepaid. Monroe-Tufline shall complete such repair or replacement within a reasonable time after Monroe-Tufline receives the product. THERE ARE NO OTHER REMEDIES UNDER THIS WARRANTY. THE REMEDY OF REPAIR OR REPLACEMENT IS THE SOLE AND EXCLUSIVE REMEDY UNDER THIS WARRANTY.

THERE ARE NO WARRANTIES WHICH EXTEND BEYOND THE DESCRIPTION ON THE FACE OF THIS WARRANTY. MONROE-TUFLINE MAKES NO OTHER WARRANTY, EXPRESS OR IMPLIED, AND MONROE-TUFLINE SPECIFICALLY DISCLAIMS ANY IMPLIED WARRANTY OF MERCHANTABILITY AND/OR ANY IMPLIED WARRANTY OF FITNESS FOR A PARTICULAR PURPOSE (EXCEPT WHERE PROHIBITED BY LAW).

Monroe-Tufline shall not be liable for any incidental or consequential losses, damages or expenses, arising directly or indirectly from the product, whether such claim is based upon breach of contract, breach of warranty, negligence, strict liability in tort or any other legal theory. Without limiting the generality of the foregoing, Monroe-Tufline specifically disclaims any damages relating to (i) lost profits, business, revenues or goodwill; (ii) loss of crops; (iii) loss because of delay in harvesting; (iv) any expense or loss incurred for labor, supplies, substitute machinery or rental; or (v) any other type of damage to property or economic loss.

This Warranty is subject to any existing conditions of supply which may directly affect Monroe-Tufline's ability to obtain materials or manufacture replacement parts.

No agent, representative, dealer, distributor, service person, salesperson, or employee of any company, including without limitation, Monroe-Tufline, its authorized dealers, distributors, and service centers, is authorized to alter, modify, or enlarge this Warranty.

For warranty services, contact your selling dealer.

NOTES: _____

NOTES: _____

FILL OUT REGISTRATION CARD BELOW AND MAIL TO:

MONROE TUFLINE
Attn; Owner Registration
PO BOX 7755
Columbus, MS 39705

OWNER WARRANTY REGISTRATION

NAME _____ ADDRESS / CITY / STATE _____

DEALER NAME _____ CITY / STATE _____

DATE OF PURCHASE _____ MODEL # _____ SERIAL # _____

COMMENTS _____

PART NO.
14311

The logo for Tufline, featuring the word "Tufline" in a stylized, italicized font. The letters are filled with a gradient from red to yellow, outlined in black, and have a slight shadow effect. A registered trademark symbol (®) is located at the end of the word.

MONROE TUFLINE MFG. CO., INC.

PO BOX 7755 / 2219 TUFLINE LANE

COLUMBUS, MS 39705-0004

(662)328-8347

www.monroetufline.com

© 2008 Monroe Tufline Manufacturing, Inc. All Rights Reserved